

# SMD 930.5 MHz SAW FILTER



3.8 x 3.8 x 1.35mm



**AFS930S3**

## FEATURES:

- Small package
- Low Insertion Loss
- Excellent Attenuation Bandwidth

## APPLICATIONS:

- Radio
- Wireless Remote Controller

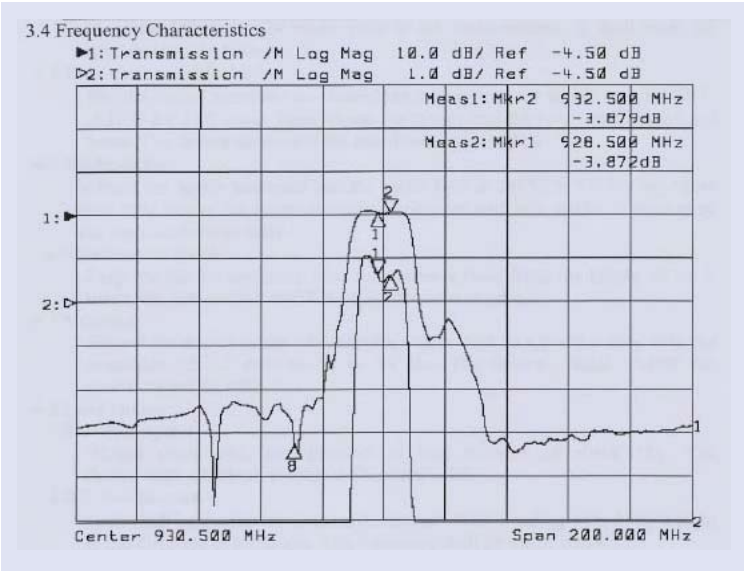
## ELECTRICAL SPECIFICATIONS:

Item	Units	Minimum	Typical	Maximum
Center Frequency Fc	MHz	--	930.5	--
Passband Width	MHz	-	Fc±2.0	
Passband Insertion Loss	dB			4.5
Passband Ripple	dB		-	-
Stop Band Attenuation				
Fc-400MHz ~ Fc-40.8MHz	dB	47		
Fc+50MHz ~ Fc+400MHz	dB	47		
Terminating Impedance			50 Ω / 0 pF	

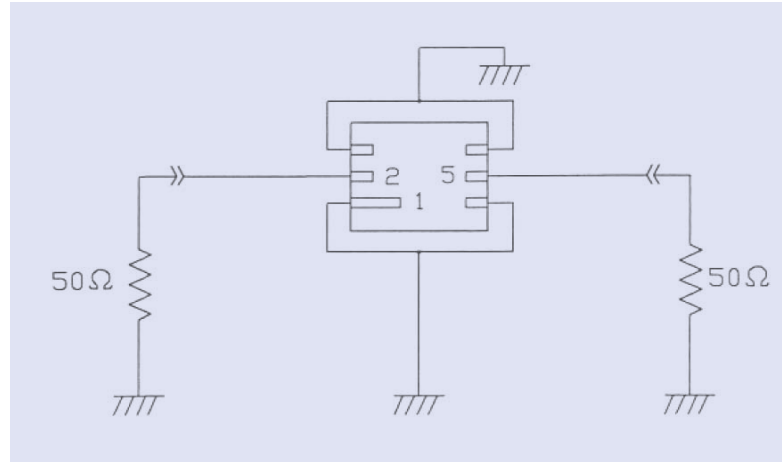
## MAXIMUM RATINGS

DC Voltage between any two pins	10V max.
Operating Temperature Range	-20°C to +50°C
Storage Temperature	-40°C + 85°C
RF Power Dissipation	0dBm

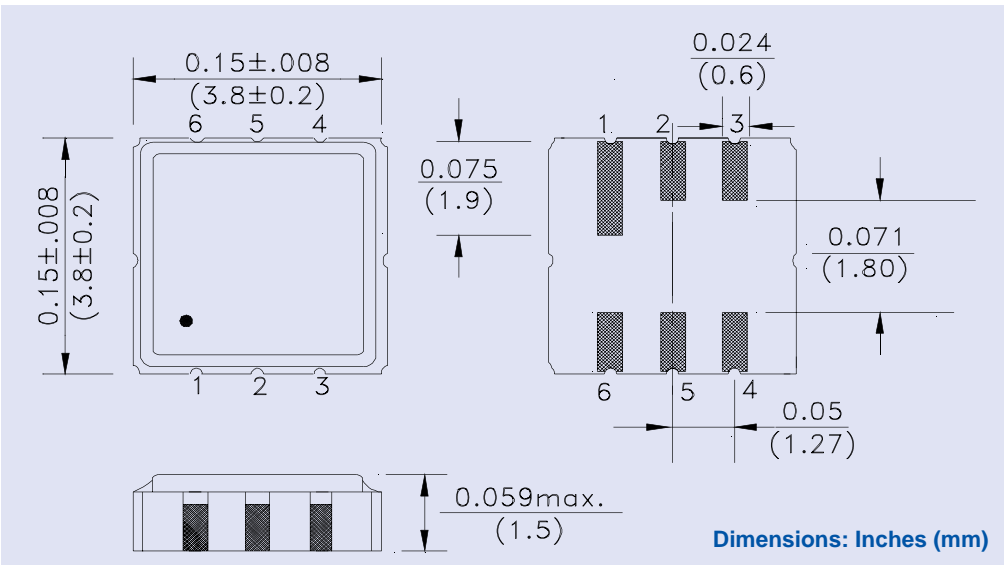
## FREQUENCY RESPONSE



## TEST CIRCUIT



## OUTLINE DRAWING:



PIN	FUNCTION
2	Input
5	Output
Others	Ground

ABRACON IS  
ISO 9001 / QS 9000  
CERTIFIED



30332 Esperanza, Rancho Santa Margarita, California 92688  
tel 949-546-8000 | fax 949-546-8001 | [www.abracon.com](http://www.abracon.com)

REVISED: 6.21.07

# SMD 930.5 MHz SAW FILTER

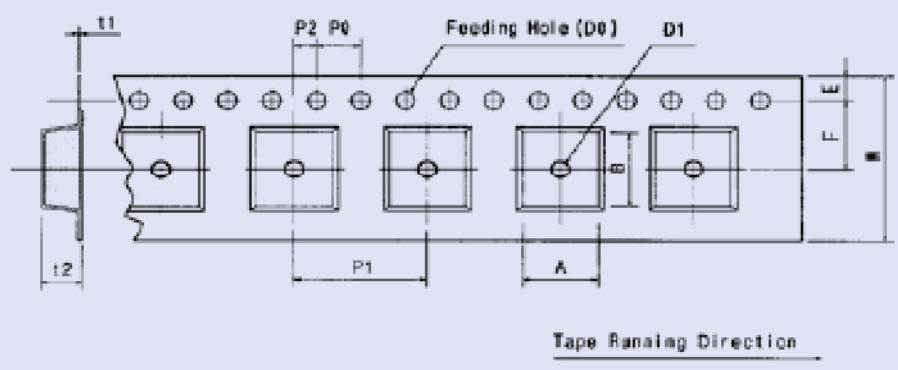
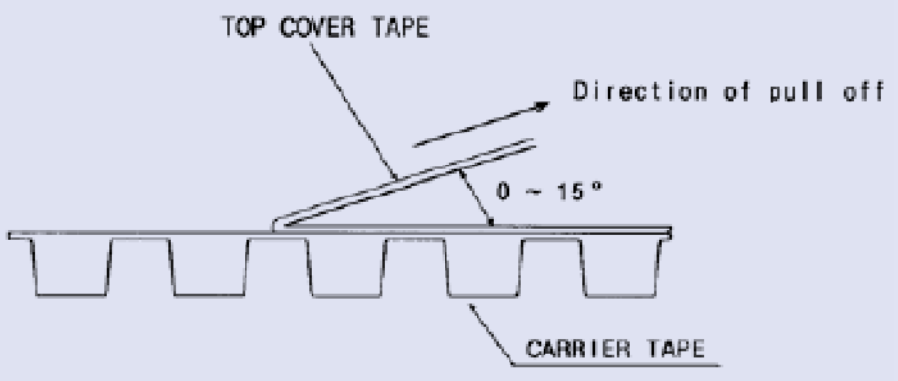


3.8 x 3.8 x 1.35mm

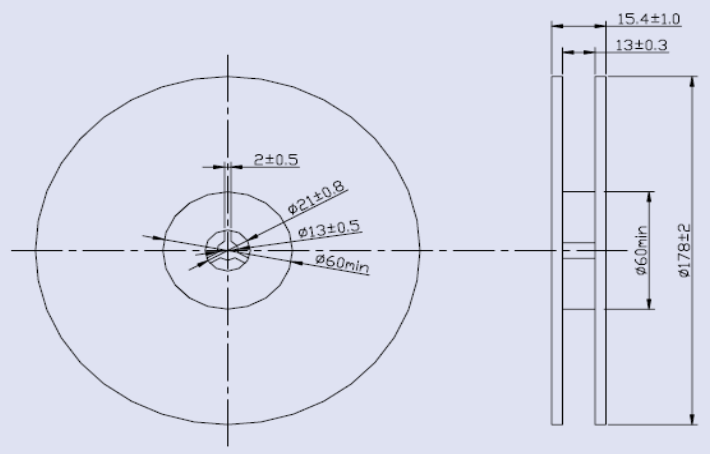


AFS930S3

## EMBOSSED TAPE & REEL:



[Unit: mm]



1000 pcs per reel.

Dimensions: mm

### TAPE SPECIFICATIONS:

Tensile strengt of carrier
Tape: 4.4N/mm width
Top cover tape adhesion
Pull off angle: 0 ~ 15°
Speed: 300mm/min.
Force: 20 ~ 70g

W	12±0.3
F	5.5±0.1
E	1.75±0.1
P0	4±0.2
P1	8±0.1
P2	2±0.2
D0	Ø1.5±0.1
D1	Ø1.0±0.25
t1	0.25max.
t2	1.65max.
A	4.1max.
B	4.1max.

